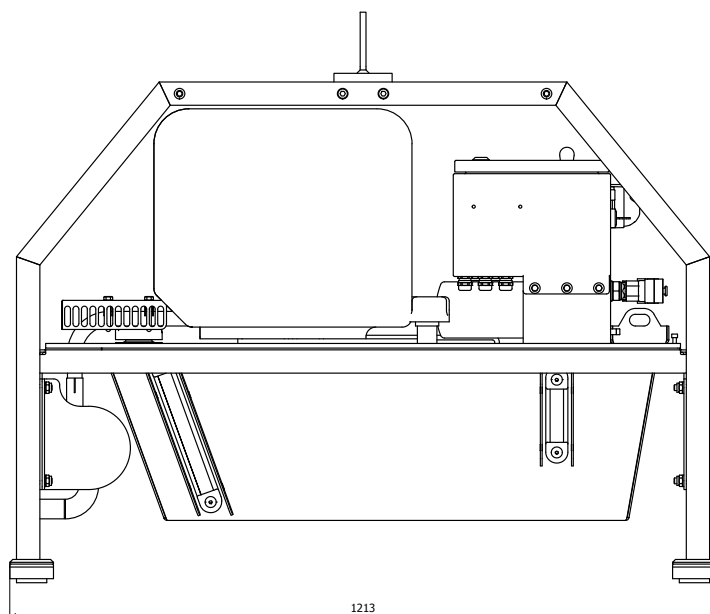
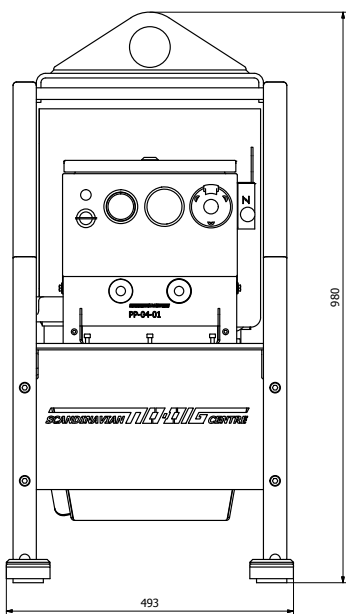
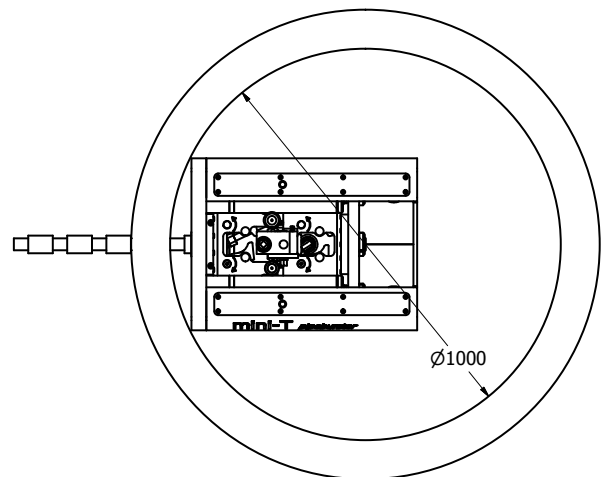
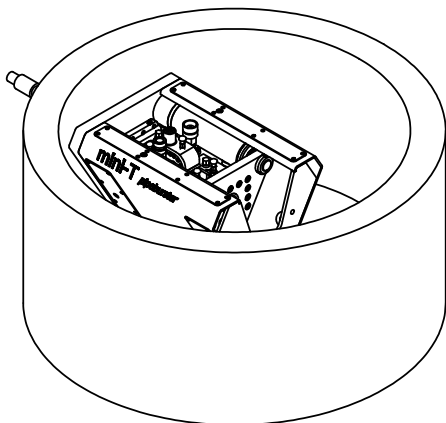
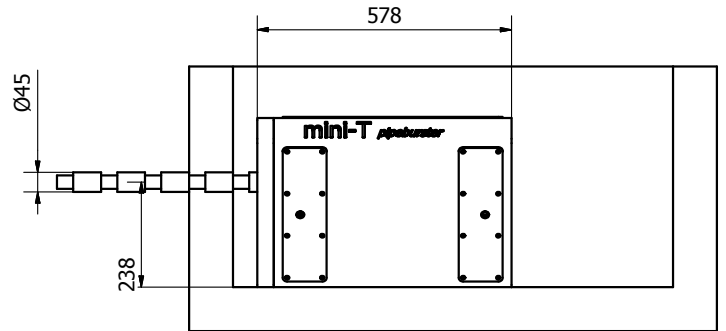
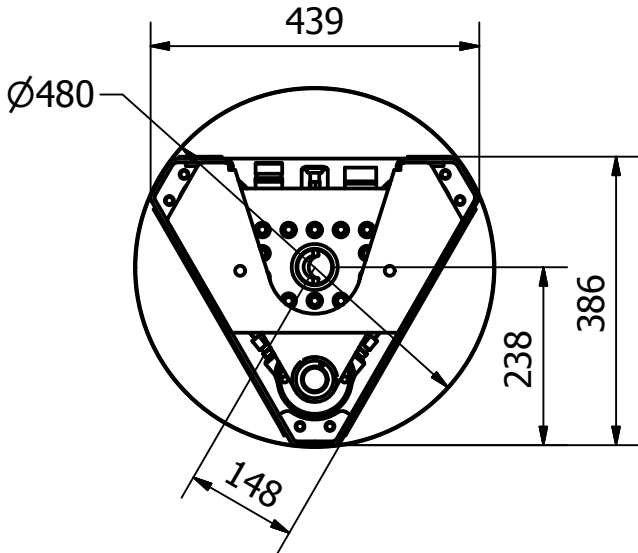


**MINI-T PIPEBURSTER DATA SHEET**



mini-T

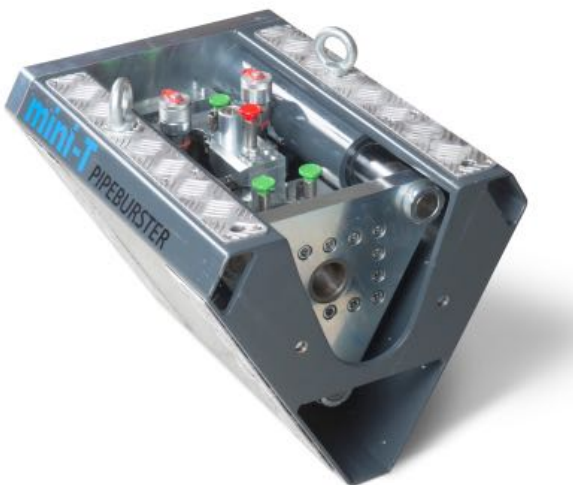
Hydro static pipeburster system  
Technical data & specifications



mini-T

Hydro static pipeburster system  
Technical data & specifications

	pulling unit	power pack	steel rods
<b>pulling force</b>	37 metric tons		
<b>measurements</b>	58 x 44 x 48 cm.	122 x 50 x 100 cm.	Ø45 mm. x 30 cm. Ø30 mm. x 30 cm. container: 120 x 50 x 45 cm.
<b>weight</b>	158 kg.	245 kg.	Ø45 mm. 2,90 kg. Ø30 mm. 1,35 kg. container incl. 120 pc's Ø45 mm. rods: 400 kg.
<b>engine</b>		Vanguard Petrol air-cooled 22 bhp. / 16,40 kW. electrical start petrol cap. 15 ltr.	
<b>hydraulic system</b>	3 cylinders	250 bar / 3625 psi 10 ltr. / min. coq pump 2500 rpm. hydraulic oil cap. 40 ltr.	
<b>operationel speed</b>	up to 1,00 mtr. / min. max stroke 10 cm.		
<b>operationel range</b>	Ø50 mm. - Ø250 mm.		





**Scandinavian No-Dig Centre A/S**

**Contact:**

**Duedal 70  
DK - 9230 Svenstrup  
Denmark**

**web: [www.no-dig.dk](http://www.no-dig.dk)**

**email: [no-dig@no-dig.dk](mailto:no-dig@no-dig.dk)**

**tlf. +45 98 34 16 88**