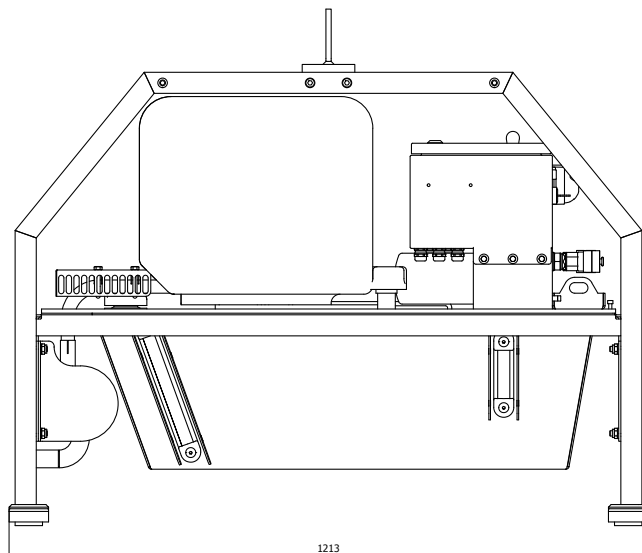
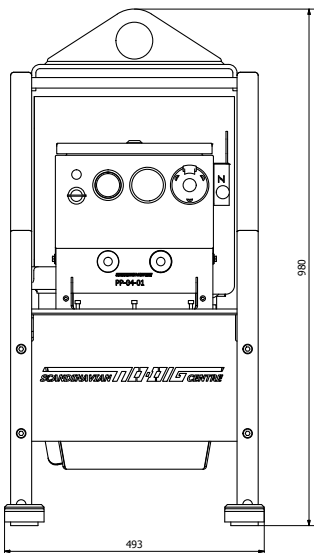
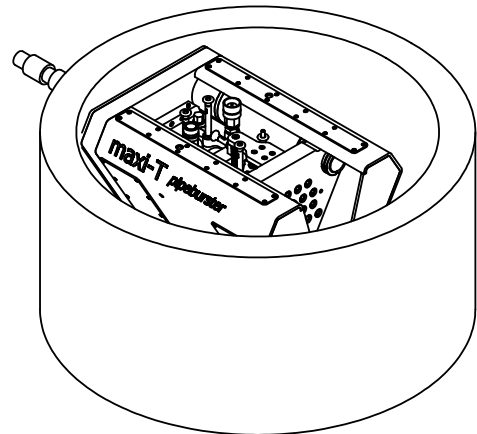
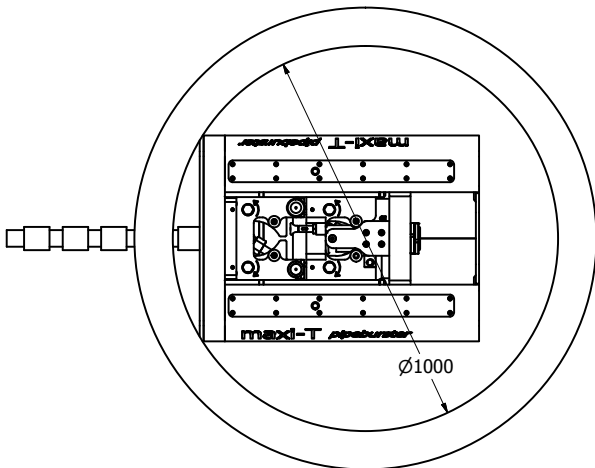
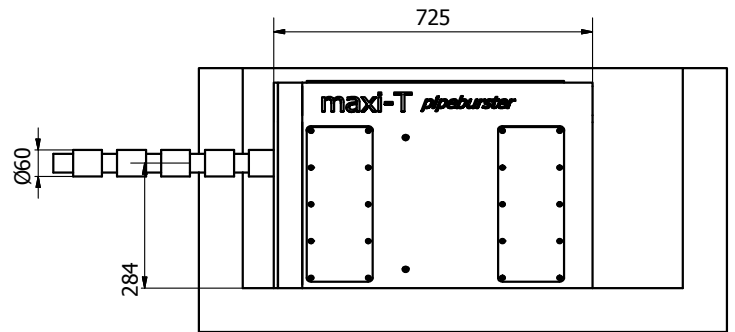
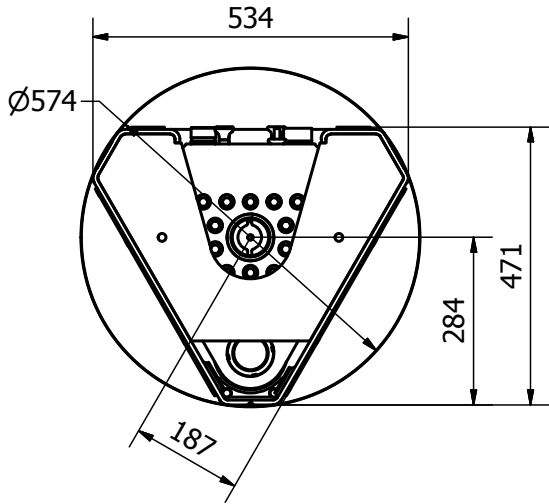


maxi-T

Hydro static pipeburster system
Technical data & specifications



maxi-T

Hydro static pipeburster system
Technical data & specifications

	pulling unit	power pack	steel rods
pulling force	60 metric tons		
measurements	73 x 54 x 58 cm.	122 x 50 x 100 cm.	Ø60 mm. x 33 cm. container: 120 x 50 x 45 cm.
weight	380 kg.	245 kg.	Ø60 mm. x 33 cm. 5.75 kg. container incl. 72 pc's Ø60 mm. rods: 465 kg.
engine		Vanguard Petrol air-cooled 22 bhp. / 16,40 kW. electrical start petrol cap. 15 ltr.	
hydraulic system	3 cylinders	250 bar / 3625 psi 10 ltr. / min. coq pump 2500 rpm. hydraulic oil cap. 40 ltr.	
operationel speed	up to 1,00 mtr. / min. max stroke 10 cm.		
operationel range	Ø90 mm. - Ø400 mm.		

