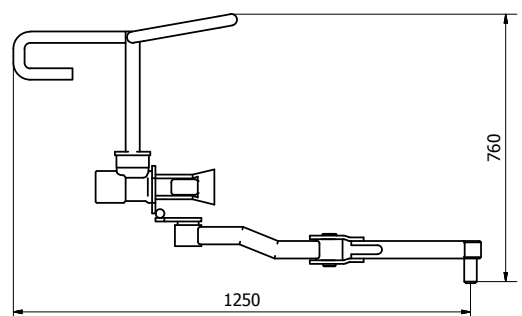
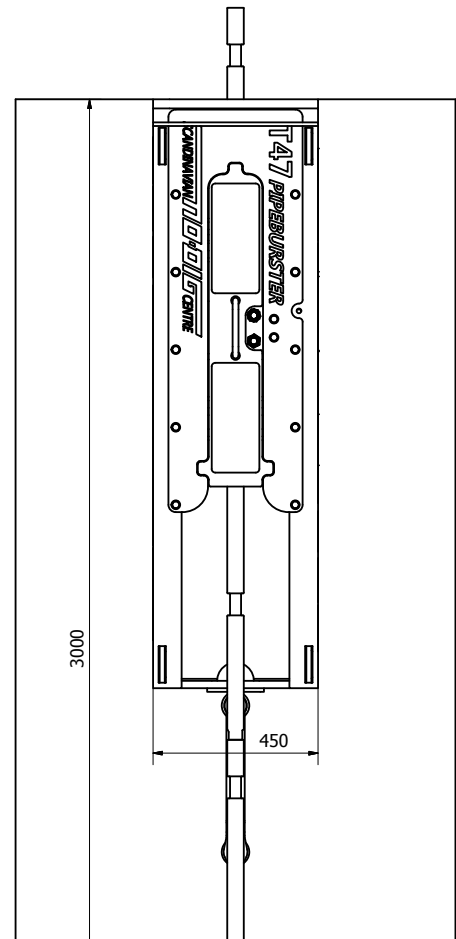
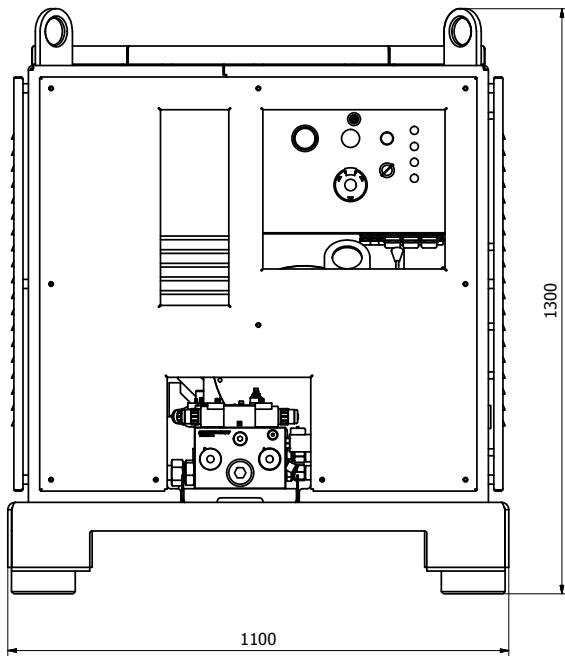
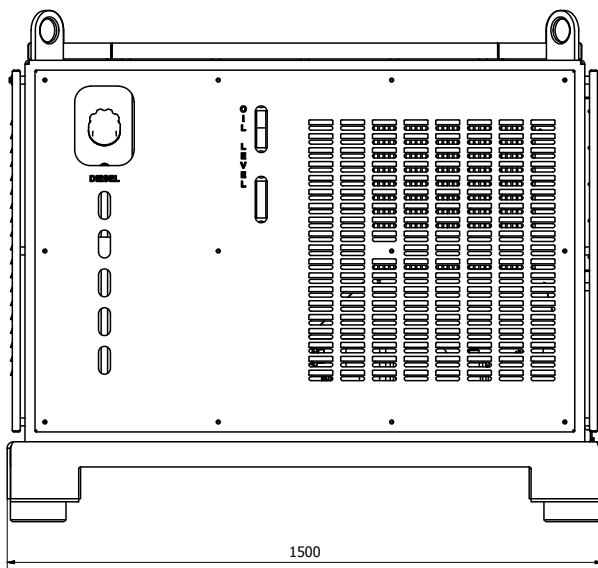
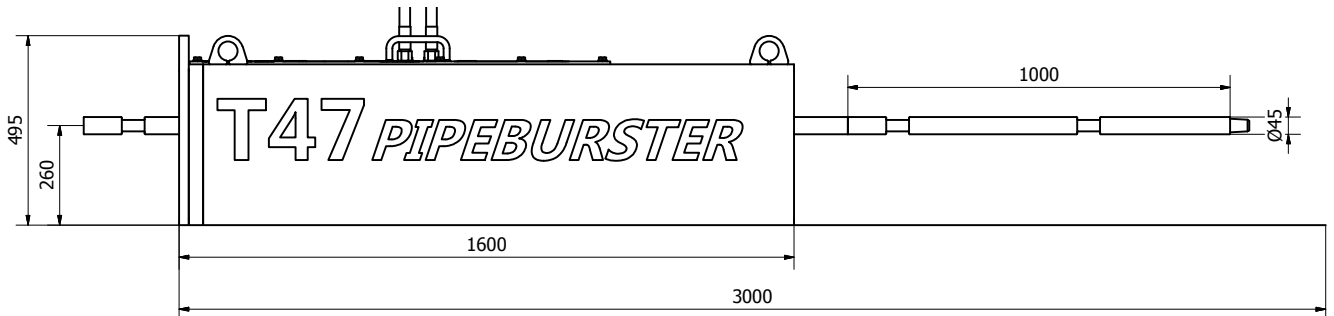


**T47 PIPEBURSTER DATA SHEET**



# T47 pipeburster

## Hydro static pipeburster system Technical data & specifications



# T47 pipeburster



## Hydro static pipeburster system Technical data & specifications

	pulling unit	power pack	steel rods
<b>pulling force</b>	47 metric tons		
<b>measurements</b>	160 x 45 x 50 cm.	150 x 110 130 cm.	Ø45 mm. x 100 cm. container: 123 x 50 x 62 cm.
<b>weight</b>	600 kg.	900 kg.	Ø45 mm. x 100 cm. 12 kg. container incl. 40 pc's Ø45 mm. rods: 530 kg.
<b>engine</b>		3 - cyl. diesel water cooled 25 bhp. / 18,6 kW diesel cap: 25 ltr. factory pre-set rpm.: 2000	
<b>hydraulic system</b>	3 cylinders	250 bar / 3625 psi 2 or 3 circuit coq pump 14 / 20 ltr (14 / 20 / 20 ltr)* 1000 rpm. hydraulic oil cap. 100 ltr.	
<b>operationel speed</b>	up to 1,00 mtr. / min. stroke 50 cm.		
<b>operationel range</b>	Ø50 mm. - Ø250 mm.		
<b>optional accessories</b>	hydro static rod-spinner* (3'rd hydraulic circuit)		





**Scandinavian No-Dig Centre A/S**

**Contact:**

**Duedal 70  
DK - 9230 Svenstrup  
Denmark**

**web: [www.no-dig.dk](http://www.no-dig.dk)**

**email: [no-dig@no-dig.dk](mailto:no-dig@no-dig.dk)**

**tlf. +45 98 34 16 88**